



MODULAR ICE MAKER

FM-300AKS-HC-SB
FM-300AKS-HCN-SB
FM-480AKS-HC-SB
FM-480AKS-HCN-SB

INSTRUCTION MANUAL



FM-480AKS-HC-SB

HOSHIZAKI CHINA CORPORATION

No. 15 Qingqiu Street, Suzhou Industrial Park, Suzhou 215126. China

L1F304102 (040226)

IMPORTANT SAFETY INFORMATION	1
I. INSTALLATION INSTRUCTIONS.....	3
1. CONSTRUCTION	3
2. ACCESSORIES	3
3. UNPACKING	3
4. LOCATION	4
5. INSTALLATION.....	4
6. ELECTRICAL CONNECTIONS.....	5
7. WATER SUPPLY AND DRAIN CONNECTIONS.....	5
II. OPERATING INSTRUCTIONS	6
1. START UP.....	7
2. SHUT DOWN	7
3. PREPARING THE ICEMAKER FOR LONG STORAGE.....	7
III. MAINTENANCE	7
1. CLEANING	7
2. INSPECTION AND MAINTENANCE.....	9
3. BEFORE CALLING FOR SERVICE.....	9
4. DISPOSAL	10
5. WARRANTY	10
SPECIFICATIONS.....	11

IMPORTANT SAFETY INFORMATION

Throughout this manual, notices appear to bring your attention to situations which could result in death, serious injury, or damage to the unit.

▲WARNING	Indicates a hazardous situation which, if not avoided, could result in death or serious injury.
▲CAUTION	Indicates a hazardous situation which, if not avoided, could result in minor or moderate injury.
NOTICE	Indicates a hazardous situation which, if not avoided, could result in damage to the unit.
▲HYGIENE	Indicates important precautions for hygiene and food safety.
IMPORTANT	Indicates important information about the use and care of the unit.

This icemaker uses HFC-free refrigerant (propane) and HFC-free foam insulation that are non-ozone-depleting and environmentally sustainable materials having very low global warming potential.

▲WARNING	
This icemaker contains flammable refrigerant in its cooling unit; installation, handling, servicing and disposal must therefore only be carried out by authorized technicians.	
The refrigerant contained in this icemaker is flammable and sealed in the refrigeration system. Although the refrigerant does not leak out under normal usage, take utmost care when handling this icemaker so as not to cause any damages to the system.	
In the case of accidental damage to the refrigeration system causing refrigerant leak: * Do not create a source of ignition in the area. * Do not operate electrical switches or plugs in the area. * Do not use naked flame. * Immediately ventilate the area by opening doors and/or windows. * Call service engineer.	
This is a commercial icemaker, and should be destined only to be used for the purpose for which it has been expressly designed. Any other use should be considered improper and therefore dangerous. The manufacturer will not be held liable or responsible for any damage caused by improper, incorrect and unreasonable use.	
The installation, and relocation if necessary, must be carried out by qualified personnel, in accordance with current regulations, according to the manufacturer's instructions.	
Keep ventilation openings, in the appliance enclosure or in the built-in structure, clear of obstruction.	
Do not use mechanical devices or other means to accelerate the defrosting process, other than those recommended by the manufacturer.	
Do not damage the refrigerant circuit.	
Do not use electrical appliances inside the food storage compartments of the appliance.	
Do not store explosive substances such as aerosol can with a flammable propellant in this appliance.	

ENGLISH

The use of any electrical appliance involves the observance of some fundamental rules. In particular:

- * Instances of high humidity and moisture increase the risk of electrical short circuits and potential electrical shocks. If in doubt, disconnect the icemaker.
- * Do not damage the power cord or pull it in order to disconnect the icemaker from the electrical supply network.
- * If the supply cord is damaged, it must be replaced by a replacement cord available from Hoshizaki Parts/Service Centres.
- * Do not touch the electrical parts or operate the switches with damp hands.
- * This appliance is not intended for use by persons (including children) with reduced physical, sensory or mental capabilities, or lack of experience and knowledge, it can however be used by children aged from 8 years and above and persons with reduced physical, sensory or mental capabilities, or lack of experience and knowledge providing they have been given supervision or instruction concerning use of the appliance by a person responsible for their safety.
- * Children shall not play with the appliance.
- * Cleaning and user maintenance shall not be made by children without supervision.
- * Do not attempt to modify the icemaker. Only qualified personnel may disassemble or repair the appliance.

When positioning the appliance, ensure the supply cord is not trapped or damaged.

Do not locate multiple portable socket-outlets or portable power supplies at the rear of the appliance.



The meaning of this ISO 7010 W021 symbol is:
Warning: Risk of fire / flammable materials

IMPORTANT

This booklet is an integral and essential part of the product and should be kept and preserved by the user.

Please read carefully the guidelines and warnings contained herein as they are intended to provide the user with essential information for the continued safe use and maintenance of the product. In addition, it provides GUIDANCE ONLY to the user on the correct services and site location of the icemaker.

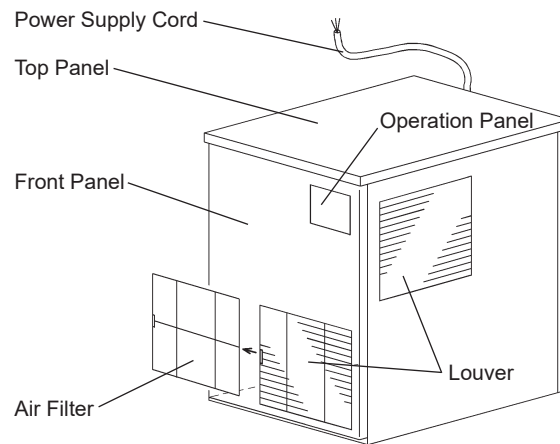
Please preserve this booklet for any further consultation that may be necessary.

Please see this product's installation manual for correct installation of the product.

These products are IP20 rated.

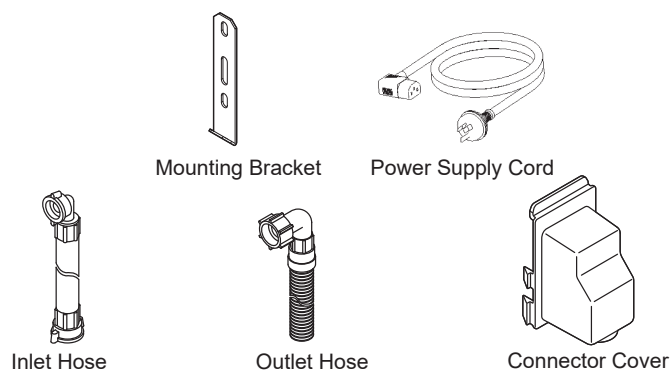
I. INSTALLATION INSTRUCTIONS

1. CONSTRUCTION



2. ACCESSORIES

Mounting Bracket	2
Power Supply Cord	1
Inlet Hose	1
Outlet Hose	1
Connector Cover	1



3. UNPACKING

▲WARNING

Children should not be allowed in reach of the packaging elements (plastic bags and expanded polystyrene) as they are potential sources of danger.

▲CAUTION

Do not lift or manoeuvre the carton by using the shipping bands.

When moving the unit by hand, remove the panels and hold the unit frame.

Always wear protective gloves when carrying the unit.

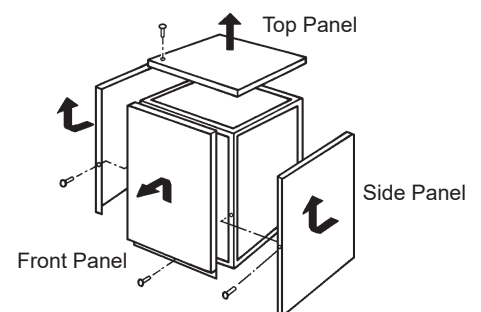
When handling the carton or the unpacked unit, work in pair to prevent injury.

NOTICE

Remove shipping carton, tape(s) and packing. If packing material is left in the icemaker, it will not work properly.

This icemaker needs a storage bin. The recommended storage bin is HOSHIZAKI ICE STORAGE BIN, Model B-300SD(PD) or B-500SD(PD) with top kit - 8C, B-700SD(PD) with top kit - 22C, or B-900SD(PD) with top kit - 22C and top kit -8C.

- 1) After removing the packaging, make sure that the icemaker and the storage bin are in good condition. If in doubt, please do not use the icemaker but apply to professionally qualified personnel. See the instruction sheet attached to the storage bin for its unpacking and installation guidelines.
- 2) Remove the shipping tape holding panels.
- 3) Remove the front, top, and side panels.
- 4) Remove the package of accessories. Check the contents according to "2. ACCESSORIES".



- Top Panel: Remove the screw. Lift off.
 Front Panel: Remove the screw. Lift up and pull toward you.
 Side Panel: Remove the screws. Pull slightly toward you.

ENGLISH

5) Remove the protective plastic film from the panels. If the icemaker is exposed to the sun or to heat, remove the film after the icemaker cools.

4. LOCATION

⚠ WARNING

This icemaker is not intended for outdoor use.

The icemaker should not be located next to ovens, grills or other high heat producing equipment.

This appliance is not suitable for installation in an area where a water jet could be used.

⚠ CAUTION

The location should provide a firm and level foundation for the icemaker.

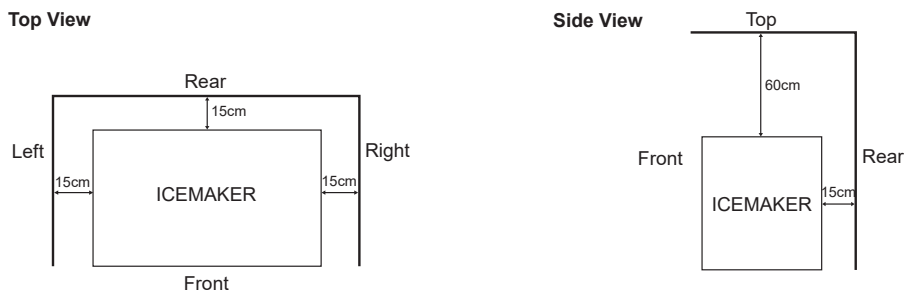
NOTICE

Do not place anything on top of the icemaker or in front of the louver.

IMPORTANT

Normal operating ambient temperature should be within 5°C to 40°C. Water connection is cold water only. Operation of the icemaker, for extended periods, outside of these normal temperature ranges may affect production capacity.

Allow the clearance specified below for proper air circulation and ease of maintenance and/or service should they be required.



In some high humidity environments, condensation may form inside the machine and drip onto the floor. Do not install where the floor can be affected by water.

5. INSTALLATION

⚠ CAUTION

Incorrect installation can cause harm to people, animals or other items, for which the manufacturer cannot be held responsible.

1) Fully screw in the four legs provided (bin accessory) into the storage bin underside.

2) Position the storage bin in the selected permanent side.

[Except FM-170]

3) Remove the tape from the chute opening at the bottom of the icemaker.

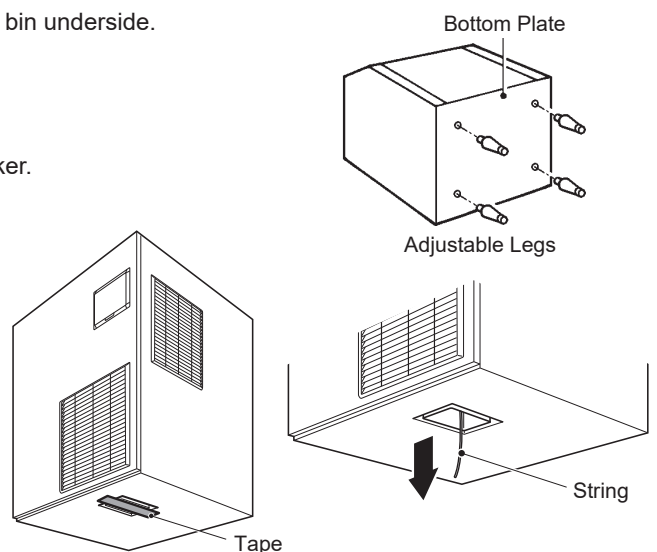
[Except FM-170]

4) Pull down the end of the string coming out of the chute opening to remove the cushion.

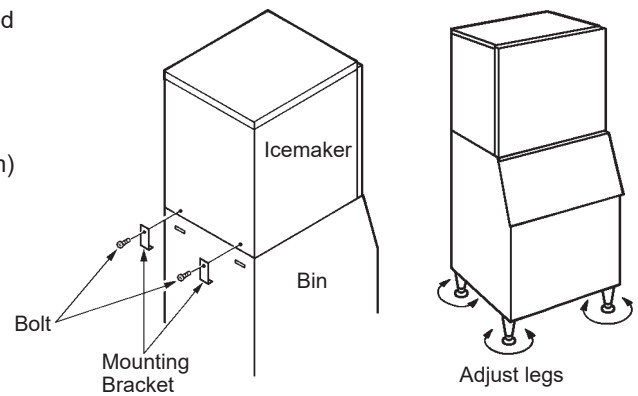
Note: If the power supply is turned on with the cushion left inside, the icemaker will not start showing "BIN FULL" in the display.

5) Place the icemaker on top of the storage bin by holding the bottom.

6) Secure the icemaker to the storage bin, by using the two mounting brackets and two bolts provided.



- 7) Seal the seam between the icemaker and the storage bin with food grade sealant.
- 8) Refit the side panels in their correct position.
- 9) Adjust the four legs on the bottom (adjustable from 0 to 25.4 mm) to have the icemaker perfectly horizontal. Use the spirit level.



6. ELECTRICAL CONNECTIONS

⚠ WARNING

THIS APPLIANCE MUST BE EARTHED

Electrical connection must be made in accordance with the appropriate local codes and regulations. The icemaker is to be connected to a residual-current device protected, earthed wall socket via the supplied flexible supply cord.

Disconnect the main power supply before any maintenance, repairs or cleaning is undertaken.

- * It is recommended that these appliance are connected to a separate 240VAC supply, protected by an appropriate circuit breaker and Residual Current Device. Check the nameplate on the icemaker for the supply requirements.
- * The main control box fuse is rated 3A and should only be replaced by a qualified service engineer.
- * The service of a licensed electrician may be required to ensure the installation is in accordance with the local codes and regulations.
- * The wires in the mains lead are coloured in accordance with the following code:
 - Green & Yellow = Earth
 - Blue = Neutral
 - Brown = Live

7. WATER SUPPLY AND DRAIN CONNECTIONS

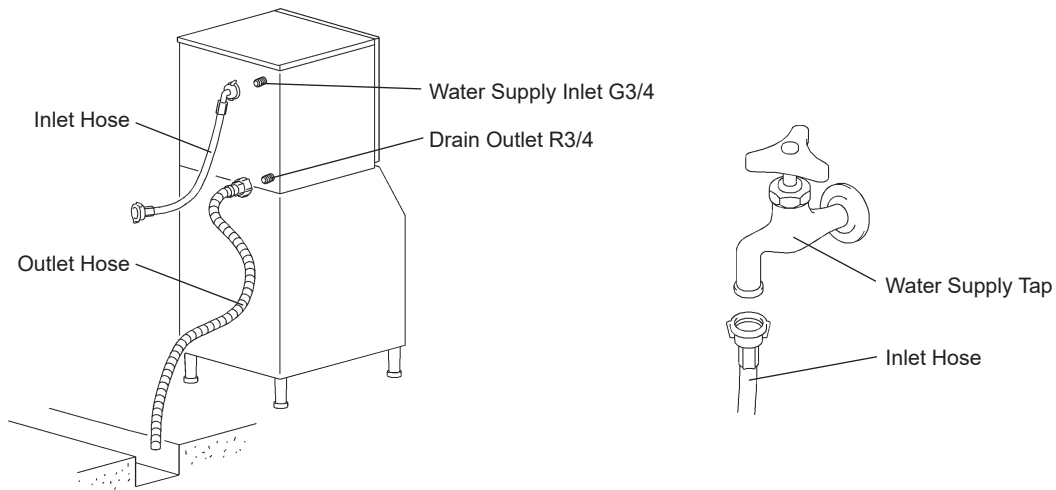
⚠ WARNING



Connect to potable cold water supply only.

- * The connections to the mains water supply must be made in accordance with the countries' current requirements of the Water Supply or Water Fittings Regulations.
- * Icemaking water must be potable water. Where scaling can be caused by water quality, installation of an external filter or softener is recommended. Contact your local water treatment professional or Hoshizaki service agent.
- * A plumbing permit and services of a licensed plumber may be required in some areas.
- * Please see the installation manual for full details regarding installation.
- * The rated water supply temperature is 5 - 35°C at a rated pressure of 0.05 - 0.8 MPa (0.5 - 8 bar) with a required flow rate of 3.8L/min.

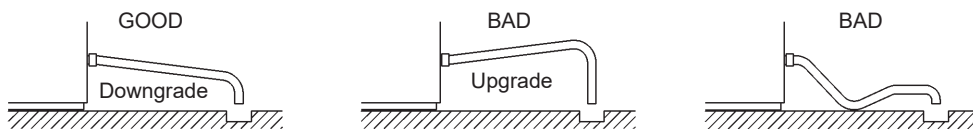
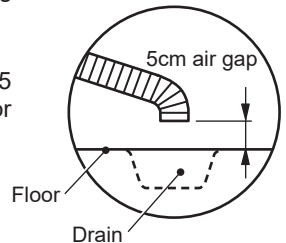
ENGLISH



[Connection to the drain]

* Hand tighten grey flexible outlet hose (accessory) onto the R3/4 fitting on the rear of the icemaker as indicated, ensuring rubber washer is correctly positioned to obtain a leak free joint. The hose can be cut to length as necessary to suit position of main drain.

* Drain lines should not be installed directly to the sewer system. A vertical air gap of a minimum of 5 cm should be between the end of the drain hoses from the icemaker and storage bin and the floor drain.

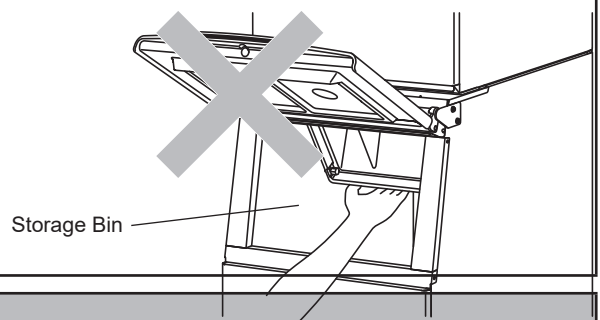


* To prevent a backflow into the storage bin, the outlet hose must be laid as shown.

II. OPERATING INSTRUCTIONS

⚠ CAUTION

Do not step into the storage bin, or put your hands into the machine compartment inside the storage bin. Children can get trapped inside, or the icemaking mechanism may suddenly move, resulting in injury.



NOTICE

All parts are factory-adjusted. Improper adjustments may result in failure.

If the unit is turned off, wait for at least 3 minutes before restarting the icemaker to prevent damage to the compressor.

⚠ HYGIENE

This icemaker is designed to produce edible ice. To keep the icemaker hygienic:

- * Wash your hands before removing ice. Use the plastic scoop provided (accessory).
- * The storage bin is for ice use only. Do not store anything else in the bin nor use other electrical appliances in the bin.
- * Clean the storage bin before use (see "III. 1. CLEANING").
- * Keep the scoop clean. Clean it by using a neutral cleaner and rinse thoroughly.
- * Close the door after removing ice to prevent entrance of dirt, dust or insects into the storage bin.

1. START UP

The installer will normally commission the icemaker to start the automatic icemaking process. To ensure continuous operation, make sure that:

- * The water supply tap is on, and
- * The icemaker is connected to the power supply.

To start the icemaking process, check the position of the operation switch on the operation panel:

- “OFF” position - Move it to the “ON” position.
- “ON” position - Press the ice button.

2. SHUT DOWN

Press the stop button on the operation panel. The “STOP” and “DRAIN” modes light up on the display. Then, only the “DRAIN” mode goes off.

3. PREPARING THE ICEMAKER FOR LONG STORAGE

NOTICE

This icemaker will not work at subfreezing temperatures. To prevent damage to the water supply line, drain the icemaker when air temperature is below zero.

⚠️HYGIENE

When shutting down the icemaker for two or more days, drain the icemaker to prevent contamination in the water circuit.

- 1) Follow the instructions in “2. SHUT DOWN”.
- 2) Close the water supply line shut-off valve.
- 3) Open the drain valve.
- 4) Press the ice button on the operation panel to drain the water circuit.
- 5) When no more water comes out of the drain valve, press the stop button.
- 6) Move the operation switch to the “OFF” position, and disconnect the power supply.
- 7) Close the drain valve.
- 8) Remove all ice from the storage bin, and clean the bin.

III. MAINTENANCE

1. CLEANING

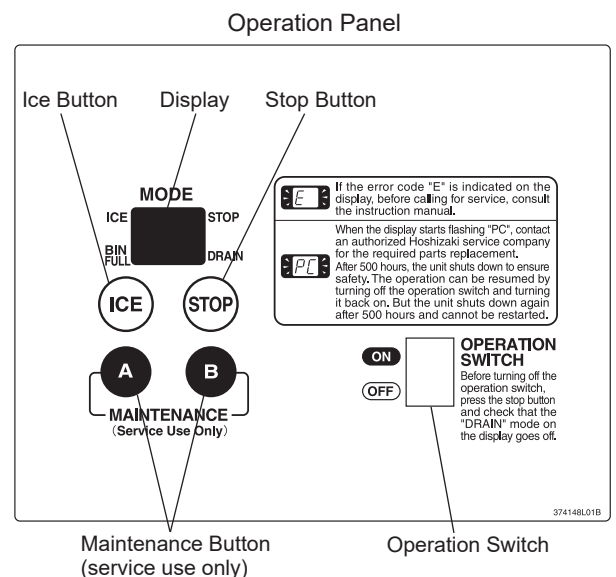
⚠️WARNING

Before carrying out any cleaning or maintenance operations, unplug the icemaker from the electrical supply network.

This appliance must not be cleaned by use of a water jet.

⚠️CAUTION

When using a neutral cleaner or sodium hypochlorite, thoroughly read and understand the instructions provided to prevent potential health problems.



ENGLISH

NOTICE

Ask a trained service person to clean and sanitise the icemaker water system at least twice a year and to check and clean the condenser at least once a year.

To prevent possible damage, do not clean the plastic parts with water above 40°C or in a dishwasher.

IMPORTANT

For spare parts information, contact your local Hoshizaki service agent.

[a] Machine and Bin Exterior

Wipe the exterior at least once per week with a clean, soft cloth. Use a damp cloth containing a neutral cleaner to wipe off grease or dirt.

[b] Scoop and Storage Bin Handle Cleaning/Sanitisation (Daily)

1) Either mix 1 litre of water with 4 ml of 5.25% sodium hypochlorite solution in a suitable container, or the recommended Hoshizaki sanitiser as directed.

2) Soak the scoop in the solution for more than 3 minutes. Rinse thoroughly, and shake to remove surplus liquid.

Note: Using a cloth to dry may re-contaminate.

3) Use a neutral cleaner to wash the storage bin handle. Rinse thoroughly.

4) Soak a clean cloth with the sanitising solution, and wipe the handle. Use fresh water and a clean cloth to rinse/dry.

[c] Storage Bin Interior Cleaning/Sanitisation (Weekly)

1) Open the storage bin door, and remove all ice.

Note: Hoshizaki recommends various types of storage bin for the icemaker which vary in size and design. The following instructions are therefore for general guidance only.

2) Remove the thumbscrews securing the baffle.

3) Remove the baffle from the bin.

4) Wash the bin liner, and baffle with a neutral non-abrasive cleaner. Rinse thoroughly.

5) Either mix 5 litres of water with 18 ml of 5.25% sodium hypochlorite solution in a suitable container, or the recommended Hoshizaki sanitiser as directed.

6) Soak a clean sponge or cloth with the solution, and wipe the bin liner surfaces, and baffle.

7) Refit the baffle and thumbscrews. Wipe the surface of the bin door and thumbscrews with the solution. Close the bin door.

8) The remaining solution can be used to sanitise utensils.

Note: Do not wipe dry or rinse after sanitising, but allow to air dry.

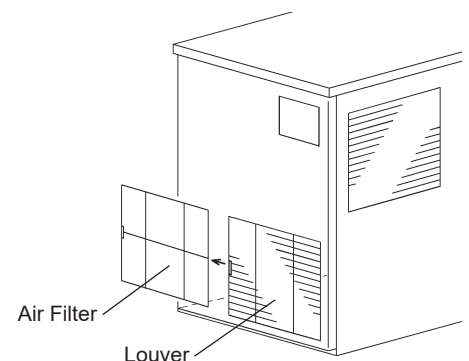
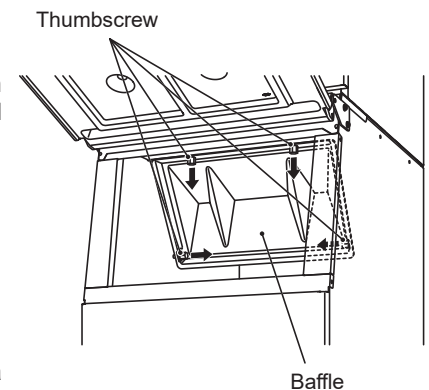
[d] Storage Bin Door

Clean the storage bin door at least once a week, using a neutral non-abrasive cleaner. Rinse thoroughly after cleaning and sanitise as required.

[e] Air Filter

Plastic mesh air filters remove dirt or dust from the air, and keep the condenser from getting clogged. If the filters get clogged, the icemaker's performance will be reduced. Remove and clean the air filter(s) at least twice per month:

1) Slide the air filter off the louver.



- 2) Clean the air filter by using a vacuum cleaner. When severely clogged, use warm water and a neutral cleaner to wash the air filter.
- 3) Rinse and dry the air filter thoroughly.

NOTICE

After cleaning, be sure to place the air filter back in position.

2. INSPECTION AND MAINTENANCE

NOTICE

To achieve optimum icemaker performance, the following parts need periodic inspection and maintenance:

- Extruding head (upper bearing)
- Housing (lower bearing)
- Mechanical seal

[a] Inspection

These parts should be inspected after two years from installation or 10,000 hours of operation, whichever comes first, and once a year afterwards. Replacement of these parts is required if wear exceeds factory recommendations.

Their service life, however, depends on water quality and environment. More frequent inspection and maintenance are recommended in bad or severe water conditions.

Consult with your local Hoshizaki service agent about inspection and maintenance service.

[b] Replacement

The extruding head (upper bearing) and mechanical seal must be replaced after four years from installation or 20,000 hours of operation, whichever comes first, to prevent the risk of serious accidents or failures. Contact your local Hoshizaki service agent for replacement.

When the total operating time reaches 20,000 hours, the display flashes "PC". Then, after 500 hours, the unit shuts down to ensure safety. Contact your local Hoshizaki service agent for replacement as soon as the display starts flashing.

Once the unit shuts down after 500 hours, the operation can be resumed by turning off the operation switch and turning it back on. But the unit shuts down again after 500 hours. To resume the operation, contact your local Hoshizaki service agent for the required replacement.

Replacement of the housing (lower bearing) may be required depending on water quality and wear condition.

3. BEFORE CALLING FOR SERVICE

⚠ WARNING

Do not damage the refrigerant circuit.

[a] Error Code Indication

If the error code "E" is indicated on the display, before calling for service, check the following.

Code	Remedy
E0	Possibility of water leaks. Turn OFF operation switch, and turn it ON again. If error code appears again, call for service.
E1	Low ice production. Turn OFF operation switch, and turn it ON again. If error code appears again, call for service.
E2	Water supply circuit failure. Turn OFF operation switch, and turn it ON again. If error code appears again, call for service.
E3	Gear motor failure. Turn OFF operation switch, and turn it ON again after 10 minutes. If error code appears again, call for service.
E4	Abnormal high side pressure. Clean air filter. Check that icemaker is properly installed according to installation manual. Turn OFF operation switch, and turn it ON again. If error code appears again, call for service.

ENGLISH

E5	Electric circuit failure. Turn OFF operation switch, and turn it ON again. If error code appears again, call for service.
E8	Compressor could be overheated. Check that icemaker is properly installed according to installation manual. Turn OFF operation switch, and turn it ON again after 10 minutes. If error code appears again, call for service.
EA	Electric circuit failure. Turn OFF operation switch, and turn it ON again. If error code appears again, call for service.
Eb	Electric circuit failure. Turn OFF operation switch, and turn it ON again. If error code appears again, call for service.
EC	Electric circuit failure. Turn OFF operation switch, and turn it ON again. If error code appears again, call for service.
EE	Gear motor failure. Turn OFF operation switch, and turn it ON again. If error code appears again, call for service.
EF	Supply voltage is too low. Check that voltage is in required range and icemaker is not sharing a single receptacle with other appliances. Turn OFF operation switch, and turn it ON again. If error code appears again, call for service.
EH	Electric circuit failure. Turn OFF operation switch, and turn it ON again. If error code appears again, call for service.
EL	Bin control switch has failed. Turn OFF operation switch, and turn it ON again. If error code appears again, call for service.
En	Electric circuit failure. Turn OFF operation switch, and turn it ON again. If error code appears again, call for service.
EU	Controller board failure. Turn OFF operation switch, and turn it ON again. If error code appears again, call for service.

[b] No Error Code Indication

If the icemaker does not work properly or does not work at all and no error code is indicated on the display, before calling for service, check that:

- * The power is supplied to the unit.
- * The water is turned on.
- * The air filter is clean.

For further assistance or advice, contact your local Hoshizaki service agent.

4. DISPOSAL

Comply with local regulations regarding disposal of this appliance and its refrigerant gas. Before you scrap the appliance, take off the door to prevent children trapped.

5. WARRANTY

Hoshizaki warrants to the original owner/user that all Hoshizaki branded products shall be free of defects in material and/or workmanship for the duration of the "warranty period". The warranty shall be effective for two years from the date of installation. Hoshizaki's liability under the terms of the warranty are limited and shall exclude routine servicing, cleaning, essential maintenance and/or repairs occasioned by misuse and installations not in accordance with Hoshizaki guidelines.

Warranty repairs should be completed by an approved Hoshizaki dealer or service agency using genuine Hoshizaki components.

To obtain full details of your warranty and approved service agency, please contact your dealer/supplier, or the nearest Hoshizaki Service office.

SPECIFICATIONS

Model	FM-300AKS-HC-SB	FM-300AKS-HCN-SB
Type	Air-cooled, flake ice	Air-cooled, nugget ice
Power Supply	1 phase 220-240V 50Hz	1 phase 220-240V 50Hz
Electric Consumption	810W	810w
Ice Production per 24h	320kg (ambient 10°C, water 10°C)	275kg (ambient 10°C, water 10°C)
Dimensions	560mm(W) x 700mm(D) x 780mm(H)	560mm(W) x 700mm(D) x 780mm(H)
Refrigerant	R290, 110g	R290, 110g
Insulation Foam Blowing Agent	HFC-free	HFC-free
Weight	80.5kg	80.5kg
Ambient Temp	5 - 40°C	5 - 40°C
Water Supply Temp	5 - 35°C	5 - 35°C
Water Supply Pressure	0.05 - 0.8 MPa (0.5 - 8 bar)	0.05 - 0.8 MPa (0.5 - 8 bar)
Voltage Range	Rated voltage ± 10%	Rated voltage ± 10%

Model	FM-300AKS-HC-SB	FM-300AKS-HCN-SB
Type	Air-cooled, flake ice	Air-cooled, flake ice
Power Supply	1 phase 220 60Hz	1 phase 220 60Hz
Electric Consumption	930W	930W
Ice Production per 24h	343kg (ambient 10°C, water 10°C)	300kg (ambient 10°C, water 10°C)
Dimensions	560mm(W) x 700mm(D) x 780mm(H)	560mm(W) x 700mm(D) x 780mm(H)
Refrigerant	R290, 90g	R290, 90g
Insulation Foam Blowing Agent	HFC-free	HFC-free
Weight	80.5kg	80.5kg
Ambient Temp	5 - 40°C	5 - 40°C
Water Supply Temp	5 - 35°C	5 - 35°C
Water Supply Pressure	0.05 - 0.8 MPa (0.5 - 8 bar)	0.05 - 0.8 MPa (0.5 - 8 bar)
Voltage Range	Rated voltage ± 10%	Rated voltage ± 10%

Model	FM-480AKS-HC-SB	FM-480AKS-HCN-SB
Type	Air-cooled, flake ice	Air-cooled, flake ice
Power Supply	1 phase 220-240V 50Hz	1 phase 220-240V 50Hz
Electric Consumption	1200W	1200W
Ice Production per 24h	470kg (ambient 10°C, water 10°C)	395kg (ambient 10°C, water 10°C)
Dimensions	560mm(W) x 700mm(D) x 780mm(H)	560mm(W) x 700mm(D) x 780mm(H)
Refrigerant	R290, 125g	R290, 125g
Insulation Foam Blowing Agent	HFC-free	HFC-free
Weight	92kg	92kg
Ambient Temp	5 - 40°C	5 - 40°C
Water Supply Temp	5 - 35°C	5 - 35°C
Water Supply Pressure	0.05 - 0.8 MPa (0.5 - 8 bar)	0.05 - 0.8 MPa (0.5 - 8 bar)
Voltage Range	Rated voltage ± 10%	Rated voltage ± 10%

ENGLISH

Model	FM-480AKS-HC-SB	FM-480AKS-HCN-SB
Type	Air-cooled, flake ice	Air-cooled, nugget ice
Power Supply	1 phase 220V 60Hz	1 phase 220V 60Hz
Electric Consumption	1455W	1455W
Ice Production per 24h	552kg (ambient 10°C, water 10°C)	435kg (ambient 10°C, water 10°C)
Dimensions	560mm(W) x 700mm(D) x 780mm(H)	560mm(W) x 700mm(D) x 780mm(H)
Refrigerant	R290, 130g	R290, 130g
Insulation Foam Blowing Agent	HFC-free	HFC-free
Weight	92kg	92kg
Ambient Temp	5 - 40°C	5 - 40°C
Water Supply Temp	5 - 35°C	5 - 35°C
Water Supply Pressure	0.05 - 0.8 MPa (0.5 - 8 bar)	0.05 - 0.8 MPa (0.5 - 8 bar)
Voltage Range	Rated voltage \pm 10%	Rated voltage \pm 10%

Model	FM-300AKS-HC-SB(Singapore)	FM-300AKS-HCN-SB(Singapore)
Type	Air-cooled, flake ice	Air-cooled, nugget ice
Power Supply	1 phase 220-230V 50Hz	1 phase 220-230V 50Hz
Electric Consumption	810W	810w
Ice Production per 24h	320kg (ambient 10°C, water 10°C)	275kg (ambient 10°C, water 10°C)
Dimensions	560mm(W) x 700mm(D) x 780mm(H)	560mm(W) x 700mm(D) x 780mm(H)
Refrigerant	R290, 110g	R290, 110g
Insulation Foam Blowing Agent	HFC-free	HFC-free
Weight	80.5kg	80.5kg
Ambient Temp	5 - 40°C	5 - 40°C
Water Supply Temp	5 - 35°C	5 - 35°C
Water Supply Pressure	0.05 - 0.8 MPa (0.5 - 8 bar)	0.05 - 0.8 MPa (0.5 - 8 bar)
Voltage Range	Rated voltage \pm 10%	Rated voltage \pm 10%

Model	FM-480AKS-HC-SB(Singapore)	FM-480AKS-HCN-SB(Singapore)
Type	Air-cooled, flake ice	Air-cooled, flake ice
Power Supply	1 phase 220-230V 50Hz	1 phase 220-230V 50Hz
Electric Consumption	1200W	1200W
Ice Production per 24h	470kg (ambient 10°C, water 10°C)	395kg (ambient 10°C, water 10°C)
Dimensions	560mm(W) x 700mm(D) x 780mm(H)	560mm(W) x 700mm(D) x 780mm(H)
Refrigerant	R290, 125g	R290, 125g
Insulation Foam Blowing Agent	HFC-free	HFC-free
Weight	92kg	92kg
Ambient Temp	5 - 40°C	5 - 40°C
Water Supply Temp	5 - 35°C	5 - 35°C
Water Supply Pressure	0.05 - 0.8 MPa (0.5 - 8 bar)	0.05 - 0.8 MPa (0.5 - 8 bar)
Voltage Range	Rated voltage \pm 10%	Rated voltage \pm 10%

Note: The above specifications are for the representative models.

Climatic Class 4: This appliance electrical safety tested for operation in maximum ambient temperature of 32°C with 40% relative humidity. However, normal operating ambient temperature must be within 7°C to 32°C.

Contact: Hoshizaki Singapore
TEL: +65 6225 2612
FAX: +65 6225 3219
sales@hoshizaki.com.sg(Sales)
serviceadmin@hoshizaki.com.sg(Technical support)

Hoshizaki Indonesia
TEL: +62 21 2937 5551/2
FAX: +62 21 2937 5553
sales@hoshizaki.co.id(Sales)
service@hoshizaki.co.id(Technical support)

Hoshizaki Thailand
TEL: +66 2 005 9980
FAX: +66 2 516 2646
info@hoshizaki.co.th
Line: @hoshizakithailand
<https://www.facebook.com/HoshizakiThailand>

Hoshizaki Vietnam
TEL: +84 28 5417 3853
sales@hoshizaki.com.vn(Sales)
service@hoshizaki.com.vn(technical support)

Hoshizaki Malaysia
TEL: +60 3 8023 5823
FAX: +60 3 8024 1823
sales@hoshizaki.com.my

Hoshizaki Philippines
TEL: +63 2 8839 2861
sales@hoshizaki.com.ph

Hoshizaki Taiwan
TEL: +886 2 2706 8818
FAX: +886 2 2708 7999

Hoshizaki Hong Kong
TEL: +852 2866 2108
FAX: +852 2866 2109

Manufacturer: HOSHIZAKI CHINA CORPORATION
NO.15Qingqiu Street Suzhou Industrial Park,Suzhou 215126 China
TEL:+86 512 6280 7850
FAX:+86 512 6280 7860